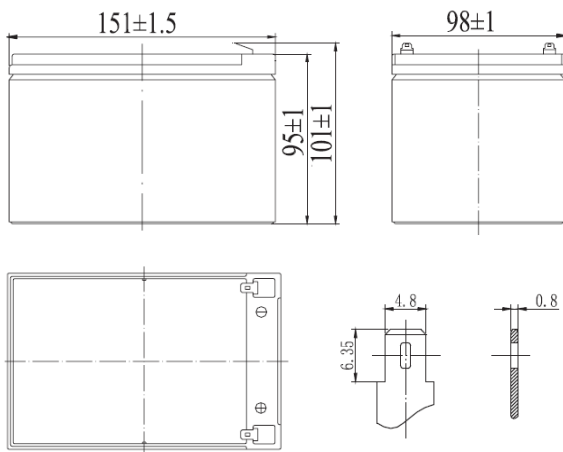


APPLICATIONS

- Uninterruptible Power Supplies (UPS)
- Electric Power Systems (EPS)
- Emergency backup power supplies
- Electronic apparatus and equipment
- Communication power supplies
- DC power supplies
- Auto control system



SPECIFICATIONS

Nominal Voltage	12 V	
Number of cells	6	
Design Floating Life (20°C)	10 years	
Dimensions	Length	151 mm
	Width	98 mm
	Height	95 mm
	Total Height	101 mm
Weight	3.45 kg	
Nominal Capacity (25°C)	20 hours rate (1.75)	12.0 Ah
	10 hours rate (1.75)	11.5 Ah
	5 hours rate (1.75)	9.85 Ah
	1 hour rate (1.65)	7.43 Ah
Internal Resistance (fully charged, 25°C)	19 mOhm	
Self Discharge	approx. 3% per month at 25°C	
Nominal Operating Temperature	25°C	
Operating Temperature range	Discharge	-15°C to 45°C
	Charge	0°C to 40°C
	Storage	-15°C to 40°C
Float Charging Voltage	2.27 to 2.30 V/cell at 25°C	
Temperature compensation	-20mV/°C	
Maximum charging current	3.60 A	
Maximum discharge current (25°C)	120 A (5 sec.)	
Short Circuit Current (25°C)	180 A	

PERFORMANCE DATA

Discharge Constant Current at 25°C (Amperes)

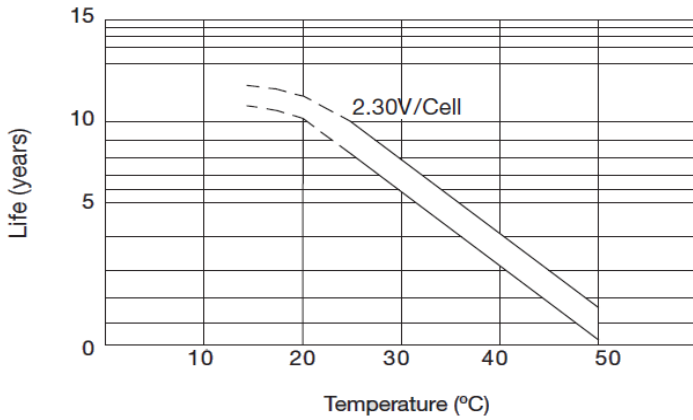
End Voltage (V/cell)	5min	10min	15min	30min	1h	2h	3h	4h	5h	8h	10h	20h
1.60V	43.6	27.8	22.0	12.3	7.54	4.20	2.97	2.32	2.01	1.32	1.17	0.63
1.65V	42.2	26.9	21.2	12.1	7.43	4.10	2.95	2.31	2.00	1.31	1.16	0.62
1.70V	40.3	25.7	20.7	11.7	7.24	4.06	2.93	2.30	1.98	1.33	1.15	0.62
1.75V	39.5	24.7	20.0	11.2	7.15	3.96	2.91	2.28	1.97	1.31	1.15	0.60
1.80V	35.7	23.3	18.5	10.9	6.75	3.87	2.83	2.20	1.92	1.25	1.13	0.58

Discharge Constant Power at 25°C (Watts/Cell)

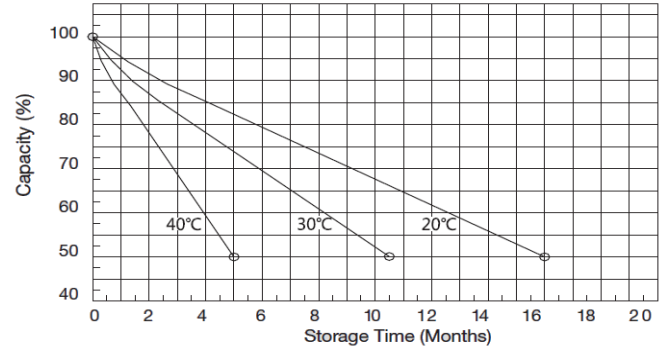
End Voltage (V/cell)	5min	10min	15min	30min	1h	2h	3h	4h	5h	8h	10h	20h
1.60V	81.5	52.1	41.4	23.5	14.5	8.06	5.87	4.63	4.01	2.64	2.29	1.25
1.65V	79.1	50.6	39.9	23.0	14.2	7.90	5.83	4.59	3.97	2.62	2.29	1.25
1.70V	76.0	48.5	39.3	22.2	13.9	7.82	5.78	4.56	4.04	2.62	2.27	1.24
1.75V	72.4	46.3	37.8	21.5	13.7	7.69	5.75	4.52	3.97	2.60	2.27	1.24
1.80V	68.8	43.7	35.9	20.7	13.0	7.49	5.58	4.39	3.74	2.55	2.23	1.16

Note: The above characteristics data can be obtained within three charge/discharge cycles.

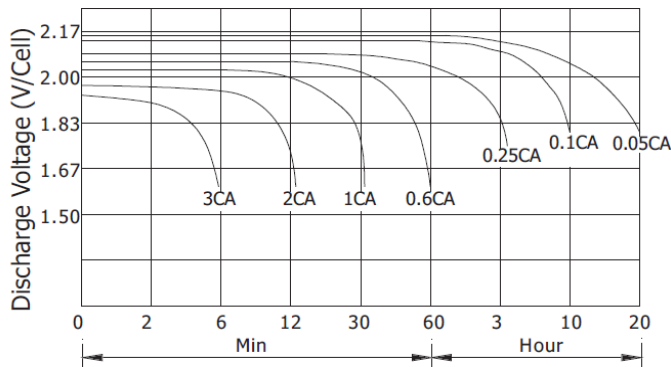
Temperature Effects on Float Life



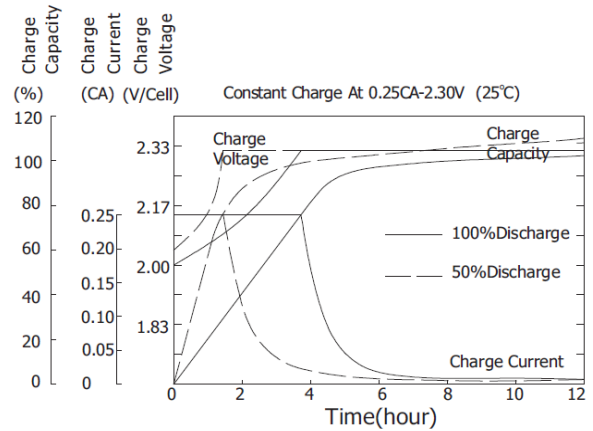
Self Discharge Characteristics



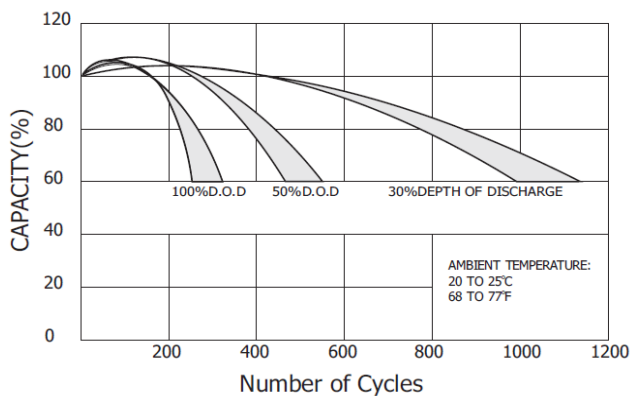
Discharge Characteristics (25°C)



Charging Characteristics (25°C)



Cycle Service Life in Relation to Depth of Discharge



Relationship Between OCV and Residual Capacity (25°C)

